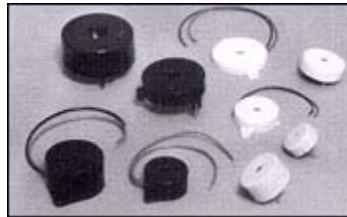


PIEZO ELECTRIC ALARM WITH INTERNAL CIRCUITRY



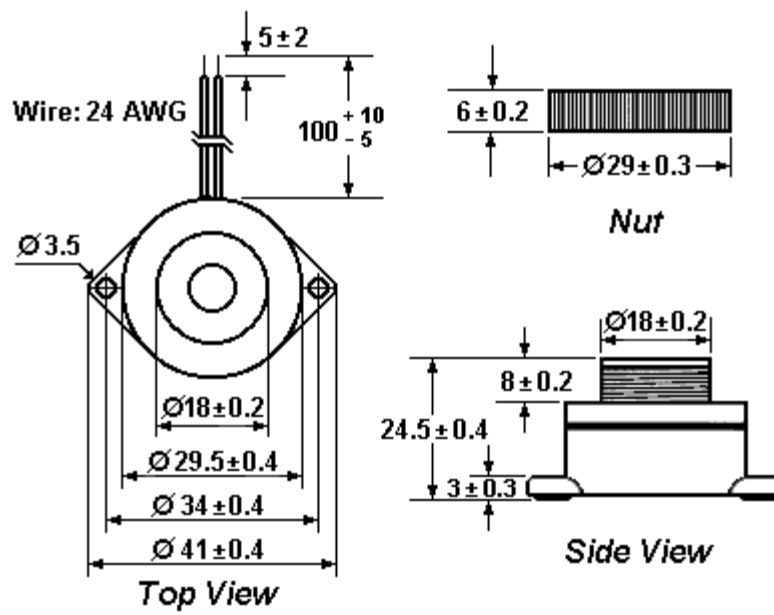
ROHS COMPLIANT

PART NUMBER:
BRP3025L-12-CP

SPECIFICATIONS:

RATED VOLTAGE:	12 VDC
OPERATING VOLTAGE:	6 ~ 16 VDC
MAX CURRENT:	10 mA
SOUND OUTPUT LEVEL:	90dB @30CM
TERMINAL TYPE:	2 LEADWIRES
RESONANT FREQUENCY:	3500 ± 500 Hz
OPERATING TEMPERATURE:	-20 TO +60 °C
TONE MODE:	INTERMITTENT3:1
FRAME DIAMETER:	29.5 mm
FRAME DEPTH:	24.5 mm
MOUNTING DIMENSIONS:	34.0 mm

DIMENSIONS:



FREQUENCY RESPONSE:

